

MAIN FEATURES AND SPECIFICATIONS:

- High quality stainless steel construction inside/out type AISI 304, 18/10.
- 50mm thick injected rigid polyurethane foam insulation at 40 kg/m³ density. CFC Free.
- Refrigeration system: Forced air and hermetically sealed air cooled condensing unit of European origin. Refrigerant CFC Free.
- Electronic control of temperature and defrosting by means of a digital readout.
- Stainless steel bottom shelf underneath for neutral series.
- Internal lighting for every exposing shelf.
- Self evaporation of condensed water.
- Refrigerant R-134a
- Operating Voltage: 220 Volts / 1 Phase / 50 – 60 Cycles.

OPTIONAL FEATURES:

- Closed lower compartment for neutral series.
- Wooden decoration panels.
- Rear shelf. (Width: 200 mm)
- Heavy duty casters.

WOODEN DECORATION PANELS



Full decoration



Partial decoration

DRAWER VIEW



CPRC DRAWER-145 with optional rear shelf



CNRC BREAD-145 with optional closed lower comp.



REFRIGERATED DISPLAY COUNTERS

Model Shown: CPRC-145



Versatile usage for pasty, chocolates, confectionery, packed salads, packed sandwiches and drinks. These refrigerated counters are designed with pleasant rounded shaped glass and well distributed glass shelves for large display area.

NEUTRAL DISPLAY COUNTERS

Model Shown: CNRC-145 BREAD



These neutral display counters complete the family. Exposing any product that doesn't require refrigeration, two special series have been designed; one series for bread with wooden shelves and drawers; and another for donuts with stainless steel slopped shelves.

CPRC / CCRC



CPRC/CCRC-95



CPRC/CCRC-120



CPRC/CCRC-145



CPRC/CCRC-190

CPRC / CCRC WITH BACK DRAWER



CPRC/CCRC-95



CPRC/CCRC-120



CPRC/CCRC-145

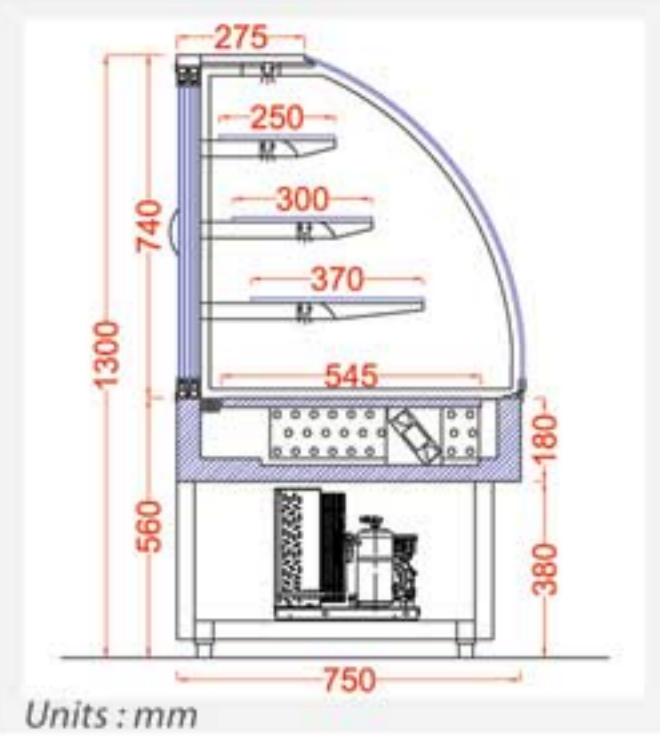


CPRC/CCRC-190

SPECIFICATIONS

	Length mm	Operating temp.	Back sliding doors	Drawers	Display area m ²	Power H.P	Nominal power amps
CPRC/CCRC-95	937	+4°C+8°C/+15°C+18°C	2	-	1.4	1/3 / 1/4	4.2 / 3.4
CPRC/CCRC-120	1187	+4°C+8°C/+15°C+18°C	2	-	1.8	3/8 / 1/3	5.6 / 4.3
CPRC/CCRC-145	1450	+4°C+8°C/+15°C+18°C	2	-	2.2	1/2 / 3/8	6.3 / 5.8
CPRC/CCRC-190	1874	+4°C+8°C/+15°C+18°C	2	-	2.8	2x1/3 / 1/2	8 / 6.4

CROSS SECTION



CNRC



CNRC-95



CNRC-120



CNRC-145

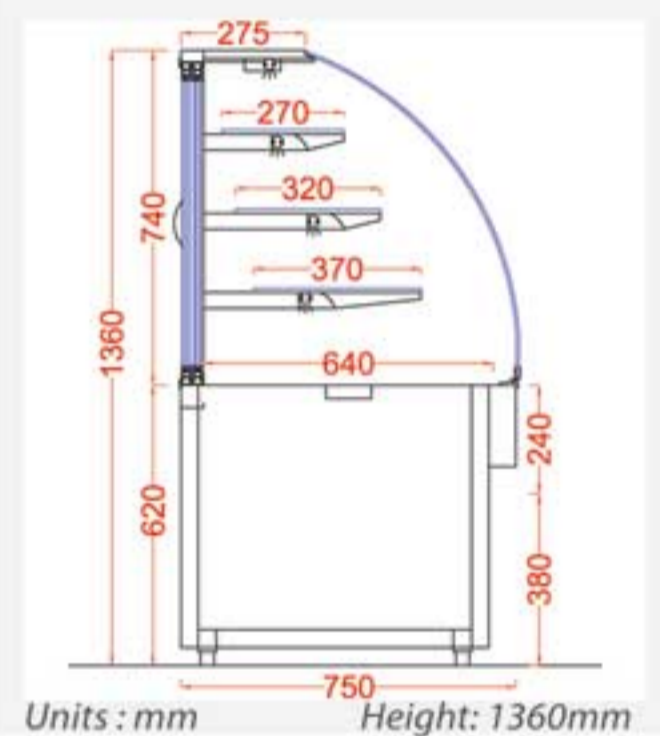
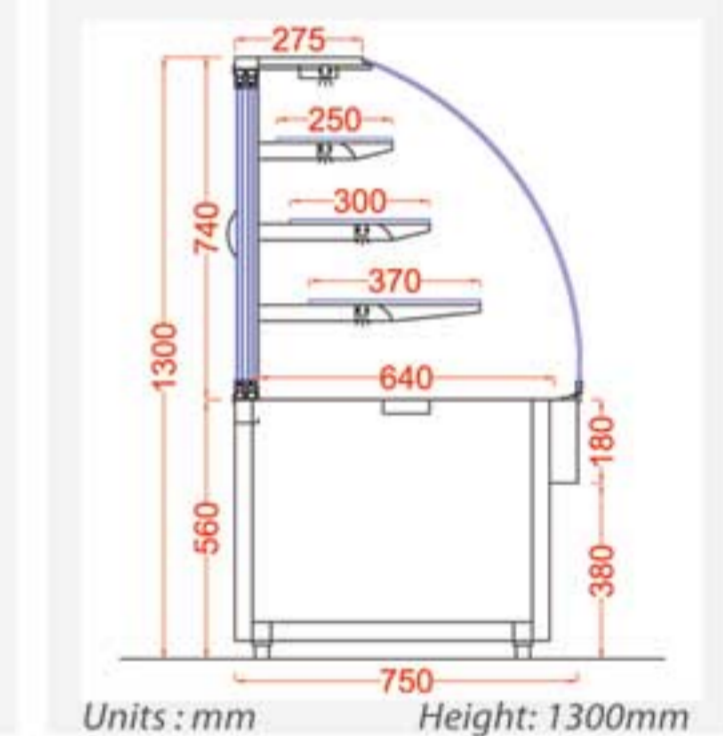


CNRC-190

SPECIFICATIONS

	Length mm	Operating temp.	Back sliding doors	Drawers	Display area m ²	Nominal power amps
CNRC-95	937	NEUTRAL	2	-	1.4	0.4
CNRC-120	1187	NEUTRAL	2	-	1.8	0.5
CNRC-145	1450	NEUTRAL	2	-	2.2	0.7
CNRC-190	1874	NEUTRAL	2	-	2.8	0.8

CROSS SECTION



CNRC BREAD



CNRC-95



CNRC-120



CNRC-145

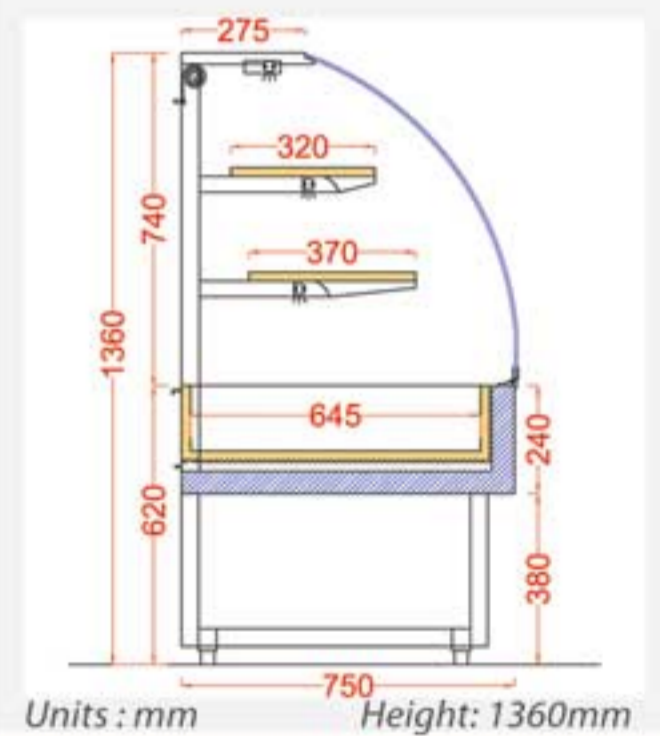
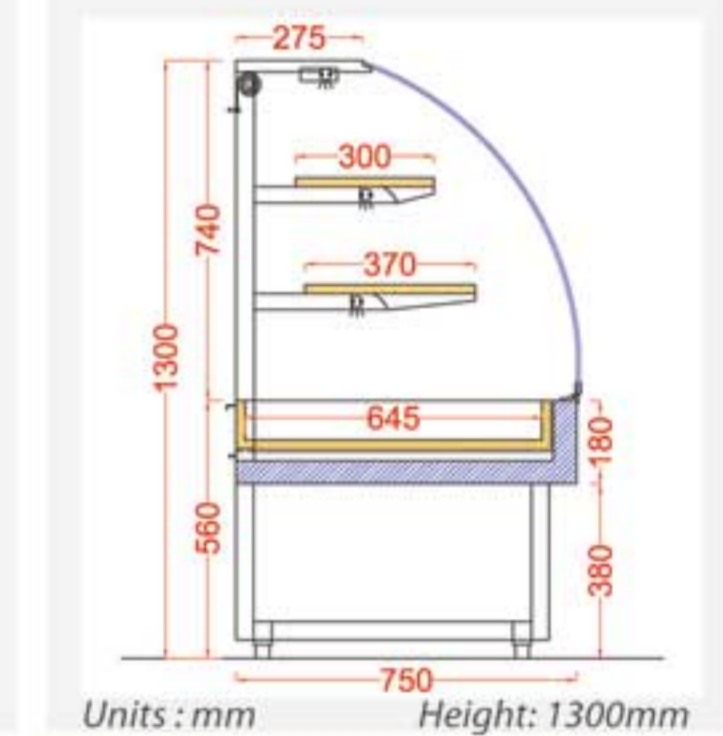


CNRC-190

SPECIFICATIONS

	Length mm	Operating temp.	Night blind	Drawers	Display area m ²	Nominal power amps
CNRC-95	937	NEUTRAL	YES	1	1.1	0.3
CNRC-120	1187	NEUTRAL	YES	2	1.5	0.4
CNRC-145	1450	NEUTRAL	YES	2	1.8	0.5
CNRC-190	1874	NEUTRAL	YES	2	2.4	0.6

CROSS SECTION



CNRC DONUT



CNRC-95



CNRC-120



CNRC-145



CNRC-190

SPECIFICATIONS

	Length mm	Operating temp.	Night blind	Drawers	Display area m ²	Nominal power amps
CNRC-95	937	NEUTRAL	YES	-	1.6	0.4
CNRC-120	1187	NEUTRAL	YES	-	2.1	0.5
CNRC-145	1450	NEUTRAL	YES	-	2.6	0.7
CNRC-190	1874	NEUTRAL	YES	-	3.5	0.8

CROSS SECTION

