



**leon**  
INDUSTRIES S.p.A.

## S/S CURVED GLASS PISTACHIO WARMER - 3 ROWS



Model Shown: CSPW/D-147 with optional "Tray Slide" & "Advertising Panel"

### PISTACHIO WARMER STANDARD



CSPW-147/3



CSPW-190/3



CSPW-230/3



CSPW-CORNER A-B/3

### PISTACHIO WARMER WITH TRAY SLIDE & ADVERTISING PANEL



CSPW-147/3



CSPW-190/3



CSPW-230/3



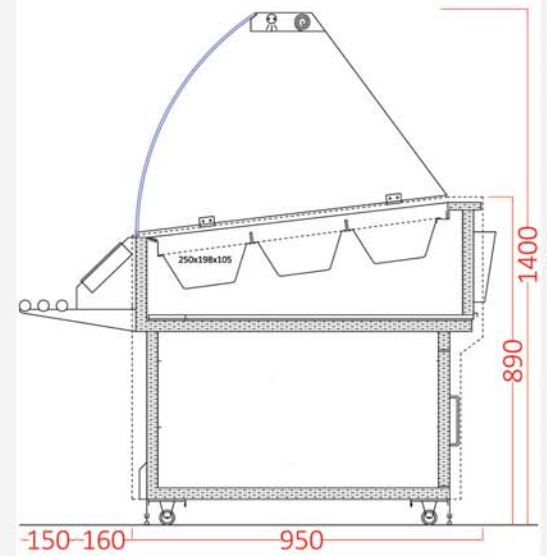
CSPW/D-CORNER A-B/3

## MAIN FEATURES AND SPECIFICATIONS:

- High quality stainless steel construction inside/out type AISI 304, 18/10.
- 30mm thick injected rigid polyurethane foam insulation at 40 kg/m<sup>3</sup> density. CFC Free.
- Neutral cupboard underneath.
- Tubular heating elements of EC origin.
- Heating by means of ventilation fan separate for each section. Fans of German origin.
- Maximum temperature +65°C controlled by thermostats. Thermostats of German origin.
- All models are equipped with: retractable night blind, rear bag holder, S/S residue tray and internal florescent lamp.
- Operating Voltage: 220 Volts / 1 Phase / 50 – 60 Cycles.

## CROSS SECTION

CSPW/D

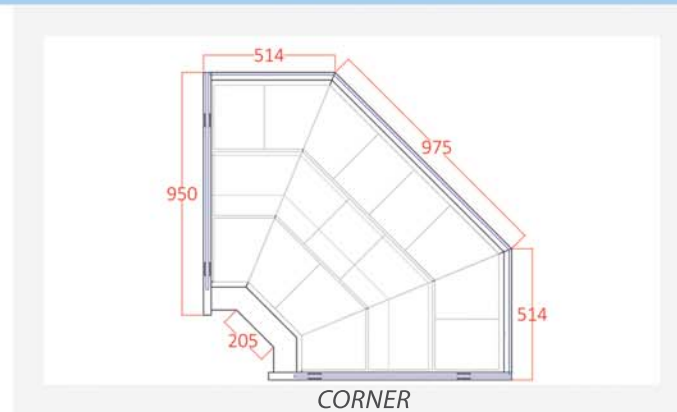


Units : mm

## OPTIONAL FEATURES:

- Stainless steel front advertising panel
- Stainless steel front tray slide

## CORNER - PLAN VIEW



Model	Length mm	Display containers	Bottom containers	Doors no.	Power watts
CSPW/3-147	1470	21	-	2	1950
CSPW/3-190	1900	27	-	2	1960
CSPW/3-230	2300	33	-	2	3850
CSPW-CORNER	1205	17	-	-	1550