



**leon**  
INDUSTRIES S.A.R.L



## S/S CURVED GLASS PISTACHIO WARMER - 2 ROWS



Model Shown: CSPW-147 with optional "Tray Slide" & "Advertising Panel"

### PISTACHIO WARMER STANDARD



CSPW-147/2



CSPW-190/2



CSPW-230/2



CORNER-A/2



CORNER-B/2

### PISTACHIO WARMER WITH TRAY SLIDE & ADVERTISING PANEL



CSPW-147/2



CSPW-190/2



CSPW-230/2



CORNER-A/2



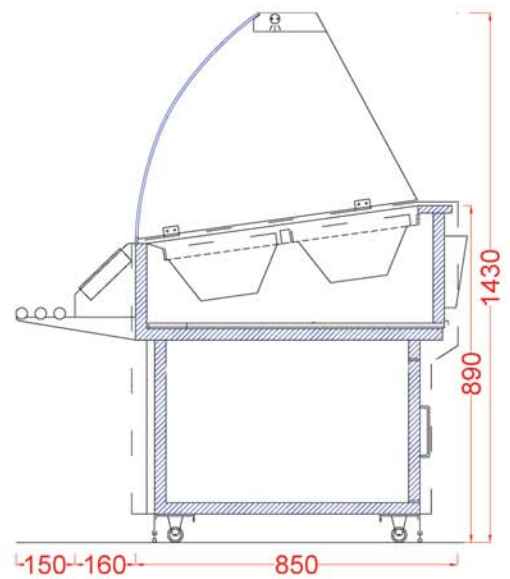
CORNER-B/2

## MAIN FEATURES AND SPECIFICATIONS:

- High quality stainless steel construction inside/out type AISI 304, 18/10.
- 30mm thick injected rigid polyurethane foam insulation at 40 kg/m<sup>3</sup> density. CFC Free.
- Neutral cupboard underneath.
- Tubular heating elements of EC origin.
- Heating by means of ventilation fan separate for each section. Fans of German origin.
- Maximum temperature +65°C controlled by thermostats. Brand E.G.O. of German origin.
- All models are equipped with: retractable night blind, rear bag holder, S/S residue tray and internal florescent lamp.
- Operating Voltage: 220 Volts / 1 Phase / 50 – 60 Cycles.

## CROSS SECTION

CSPW

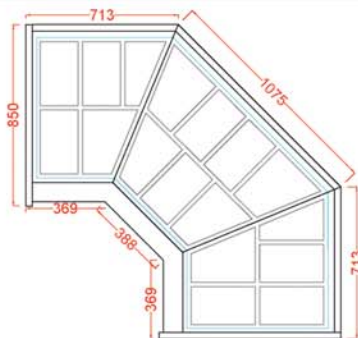


Units : mm

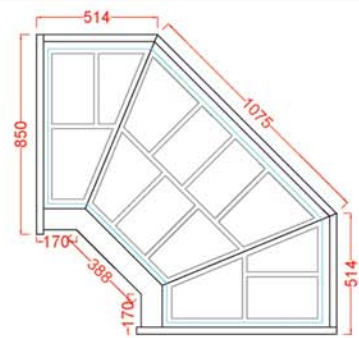
## OPTIONAL FEATURES:

- Stainless steel front advertising panel
- Stainless steel front tray slide

## CORNER - PLAN VIEW



CORNER-A/2



CORNER-B/2

Model	Length mm	Display containers	Bottom containers	Doors no.	Power watts
CSPW-147/2	1470	14	-	2	1550
CSPW-190/2	1900	18	-	2	1860
CSPW-230/2	2300	22	-	2	2200
CORNER-A/2	1474	17	-	-	1550
CORNER-B/2	1274	13	-	-	1550