



## CLEANING



Always allow the Saj Cooker to cool down before cleaning it.

Clean the dome with a moist sponge and a little washing liquid, do not use any harsh chemicals on the dome or on the stainless steel body.

Never pour water on the dome or the waste drawer. The waste drawer is only conceived for small waste. Pouring water may result in malfunction.

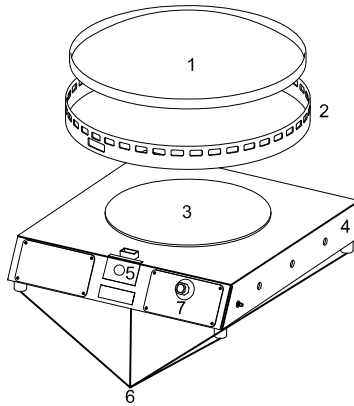
## GAS SAJ COOKER Model: GSC-56

### INSTALLATION & USER MANUAL



### SPARE PARTS

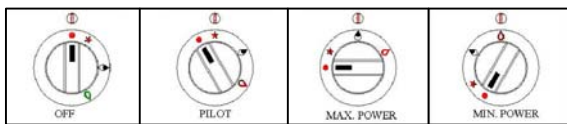
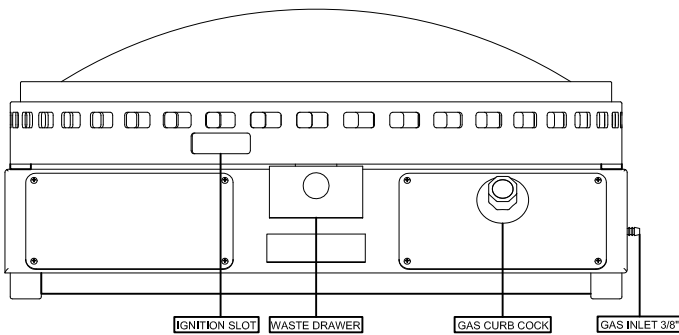
GSC-56			
No	Code	Description	Qty
1	GSC-56-1	Steel Dome	1
2	GSC-56-2	S/S Base	1
3	GSC-56-3	Steel Burner	1
4	GSC-56-4	S/S Body	1
5	GSC-56-5	S/S Drawer	1
6	GSC-56-6	Rubber Feet	4
7	GSC-56-7	Gas Valve	1
7A	GSC-56-7A	Gas Knob	1
7B	GSC-56-7B	Pilot Flame	1
7C	GSC-56-7C	Thermocouple	1



P.O.BOX 11-8544, Riad El Solh 1107 2270 Beirut - Lebanon  
Tel.: +961 9 212314/219360 +961 1 447979 Fax: +961 9  
219361 Mob.: + 961 3 302736

E-mail: info@leonindustries.co Web: www.leonindustries.co

### USER MANUAL



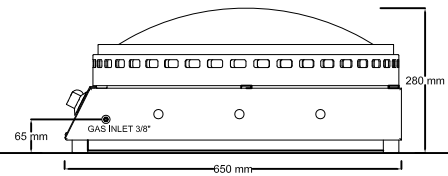
**STEP 1:** Open the general gas curb cock, installed in the exterior of the appliance.

**STEP 2:** Press slightly the control and turn it anticlockwise until PILOT position(\*).

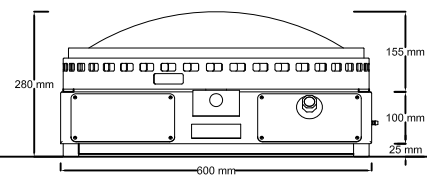
**STEP 3:** Press the cock control and at the same time approach a flame using a long nose lighter threw the ignition slot, to the ignition opening until the pilot lights up. Keep the cock control pressed about 10 seconds, until the pilot flame stays stable. Afterwards unpress the control (If it blows out repeat the operation).

**STEP 4:** From this moment, to light the burner press the control and turn it anticlockwise to the wished position.

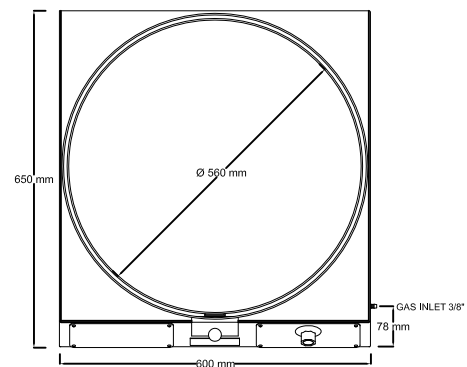
### DIMENSIONS



SIDE VIEW



FRONT VIEW



TOP VIEW

### SPECIFICATIONS

Outside Dimensions:	600Lx650Dx280H (mm)
Cooking Saj Diameter:	Ø 560 mm
Weight:	28 KG
Operation:	Butane or Propane
Consumption:	100gr/hr
Max pressure:	30gr/cm2
Gas Power:	5000 Kcal/h
Capacity:	60 Manaich / Hr of Ø 250 mm