

CLEANING

Always disconnect the Saj Cooker and allow it to cool down before cleaning it.

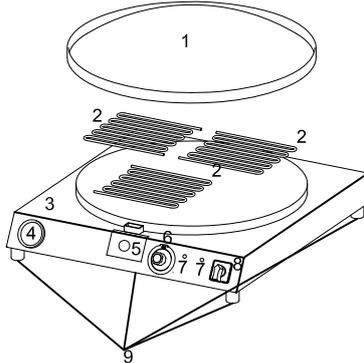
Clean the dome with a moist sponge and a little washing liquid, do not use any harsh chemicals on the dome or on the stainless steel body.



Never pour water on the dome or the waste drawer. The waste drawer is only conceived for small waste. Pouring water may result in electrical shock.

SPARE PARTS

ESC-70			
No	Code	Description	Qty
1	ESC-70-1	Steel Dome	1
2	ESC-70-2	Heating Element	3
3	ESC-70-3	S/S Body	1
4	ESC-70-4	Thermometer	1
5	ESC-70-5	S/S Drawer	1
6	ESC-70-6	Thermostat	1
7	ESC-70-7	Pilot Lamp	2
8	ESC-70-8	Main Switch	1
9	ESC-70-9	Rubber Feet	4



ELECTRIC SAJ COOKER

Model: ESC-70

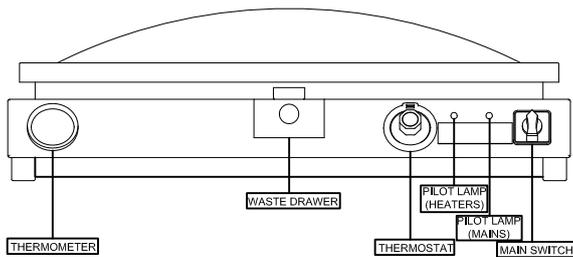
INSTALLATION & USER MANUAL



P.O.BOX 11-8544, Riad El Solh 1107 2270 Beirut - Lebanon
Tel.: +961 9 212314/219360 +961 1 447979 Fax: +961 9 219361 Mob.: + 961 3 302736

E-mail: info@leonindustries.co Web: www.leonindustries.co

USER MANUAL



STEP 1: Put main switch on OFF position

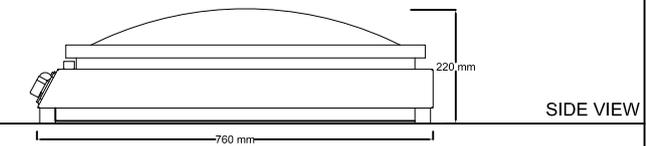
STEP 2: Connect supplied cables to power source. 3 phase R-S-T, Neutral and earth. We recommend using a isolator switch within reach of operator in case of emergency shut down.

STEP 3: Put main switch on ON position, Signal lamp should illuminate indicating electric power is connected.

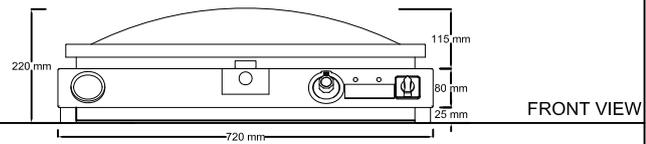
STEP 4: Turn Thermostat clock-wise to desired temperature, Second signal lamp will illuminate indicating that heating element are in operation. The second signal lamp will be off when desired temperature is achieved.

STEP 5: Thermometer will read temperature of the Saj cooker during operation.

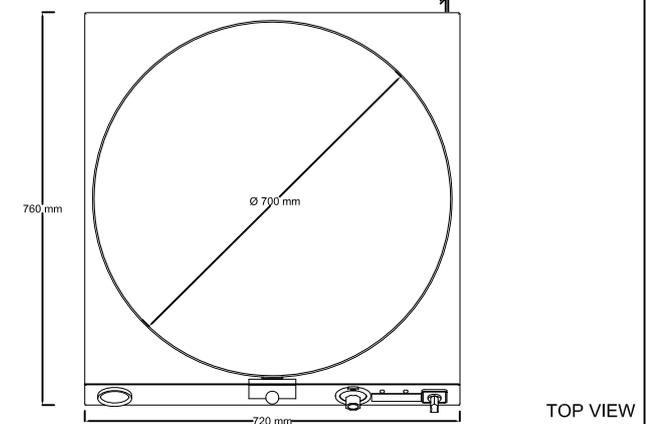
DIMENSIONS



SIDE VIEW



FRONT VIEW



TOP VIEW

SPECIFICATIONS

Outside Dimensions:	720Lx760Dx220H (mm)
Cooking Saj Diameter:	Ø 700 mm
Weight:	32.5 KG
Operating Voltage:	380 Volts / 50-60 Hz / 3 Phases
Power Watts:	3600
Capacity:	90 Manaich / Hr of Ø 250 mm