

## CLEANING

Always disconnect the Saj Cooker and allow it to cool down before cleaning it.

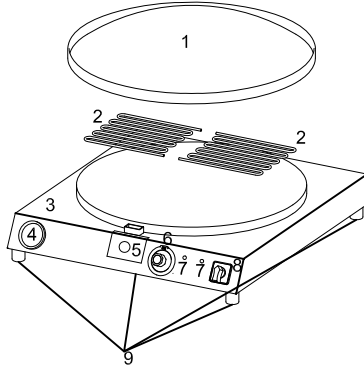
Clean the dome with a moist sponge and a little washing liquid, do not use any harsh chemicals on the dome or on the stainless steel body.



Never pour water on the dome or the waste drawer. The waste drawer is only conceived for small waste. Pouring water may result in electrical shock.

## SPARE PARTS

ESC-56			
No	Code	Description	Qty
1	ESC-56-1	Steel Dome	1
2	ESC-56-2	Heating Element	2
3	ESC-56-3	S/S Body	1
4	ESC-56-4	Thermometer	1
5	ESC-56-5	S/S Drawer	1
6	ESC-56-6	Thermostat	1
7	ESC-56-7	Pilot Lamp	2
8	ESC-56-8	Main Switch	1
9	ESC-56-9	Rubber Feet	4



## ELECTRIC SAJ COOKER

Model: ESC-56

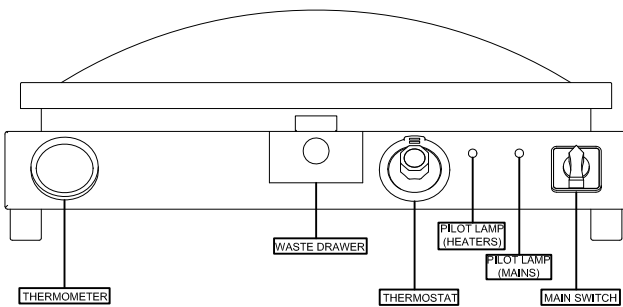
## INSTALLATION & USER MANUAL



P.O.BOX 11-8544, Riad El Solh 1107 2270 Beirut - Lebanon  
Tel.: +961 9 212314/219360 +961 1 447979 Fax: +961 9 219361 Mob.: + 961 3 302736

E-mail: info@leonindustries.co Web: www.leonindustries.co

## USER MANUAL



**STEP 1:** Put main switch on OFF position

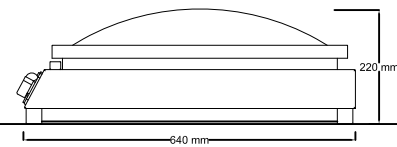
**STEP 2:** Insert supplied plug to electric socket. Socket should be 16 amps at 220 volts with earth connection

**STEP 3:** Put main switch on ON position, Signal lamp should illuminate indicating electric power is connected.

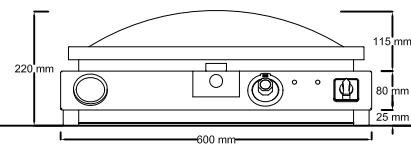
**STEP 4:** Turn Thermostat clock-wise to desired temperature, Second signal lamp will illuminate indicating that heating element are in operation. The second signal lamp will be off when desired temperature is achieved.

**STEP 5:** Thermometer will read temperature of the Saj cooker during operation.

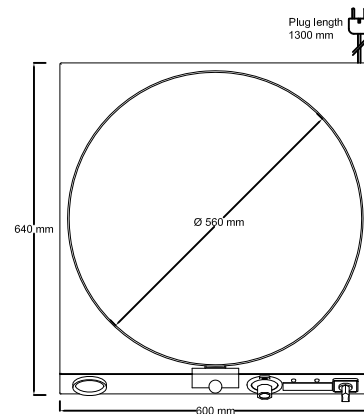
## DIMENSIONS



SIDE VIEW



FRONT VIEW



TOP VIEW

## SPECIFICATIONS

Outside Dimensions:	600Lx640Dx220H (mm)
Cooking Saj Diameter:	Ø 560 mm
Weight:	22 KG
Operating Voltage:	220 Volts / 50-60 Hz / 1 Phase
Power Watts:	2400
Capacity:	60 Manaich / Hr of Ø 250 mm