

# Salamander Broiler



## Standard Features

- Durable stainless steel structure, corrosion-resistant and easy to clean
- Simple and reasonable structure, easy to manipulate and maintain
- High efficient Ceramic infrared burner, for quick and even heating, standby pilots
- Independent manual controls to save the energy
- Mounting kits available to save kitchen space



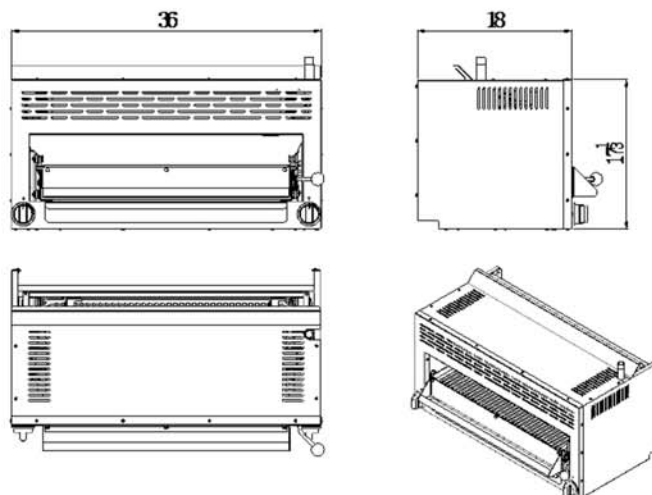
ATSB-36



## Specifications

Model	Burners and Control Method	Gas type	"Intake-tube pressure (in.W.C.) "	Per BTU B.T.U./h	Total BTU B.T.U./h	Regulator	"Net weight (KG)	Dimensions (CM)
ATSB-36	2 Burners Independent Manual Control	NG	5	21,500	43,000	5" w.c.	65	91.5 x 50 x 45
		LP	10	21,500		10" w.c.		

## Plan View



ATSB-36



Conforms to ANSI  
STD Z83.11b-2009(2011)  
Certified to CSA  
STD 1.8b-2009(2011)  
Conforms to NSF/ANSI STD.4

Intertek Intertek  
4003935